

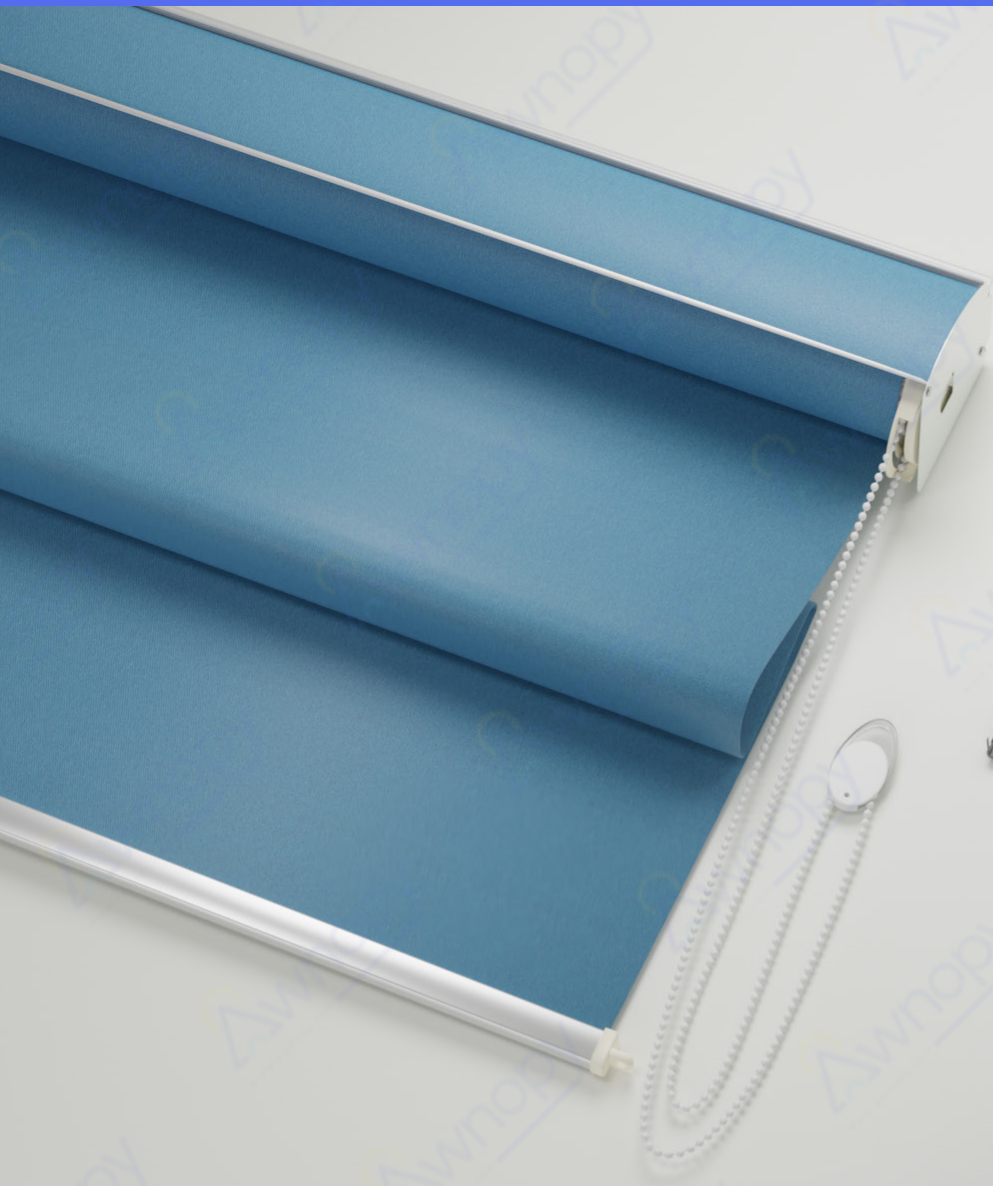
# HOW TO INSTALL BLINDS

## Inside the package

- Awnopy Roller Blind
- Mounting Brackets
- Plastic wall plugs
- Screws
- Cup hook fasteners

## Additional tools

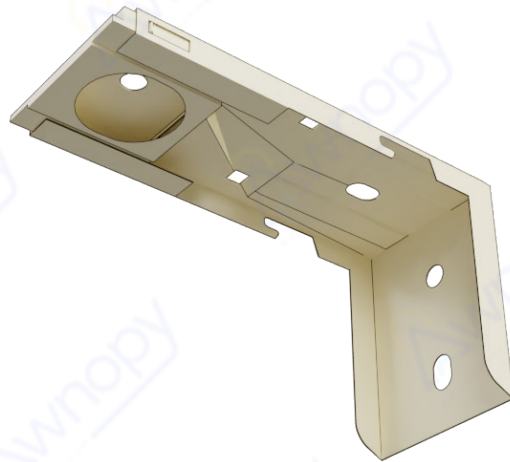
- Drilling machine
- Screwdriver
- Pencil
- Level meter
- Measuring tape



## Mounting Brackets:

Roller blind mounting brackets are designed with practicality in mind. You'll notice that these brackets have specific holes – two on the side and two on the top.

The two holes on the side are for wall mounting, allowing you to secure your roller blind firmly to a vertical surface. Meanwhile, the two holes on the top are designed for ceiling mounting, providing a sturdy support when you want to suspend your roller blind from above.



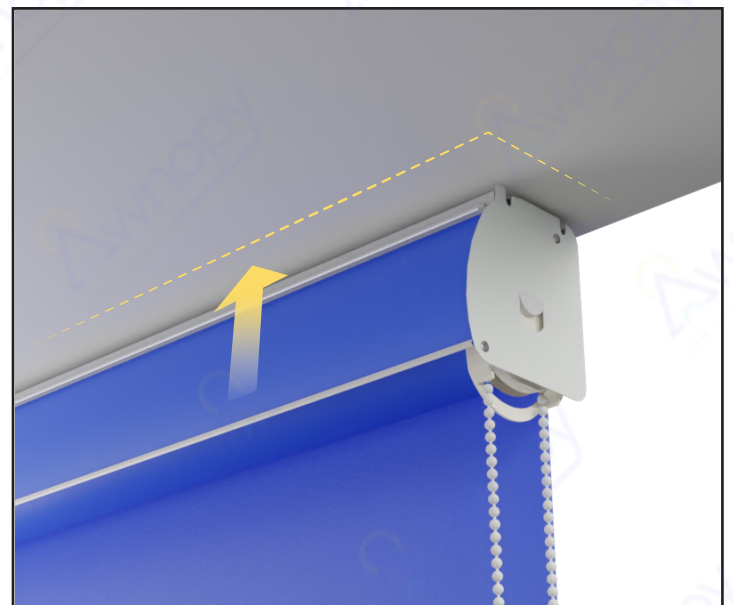
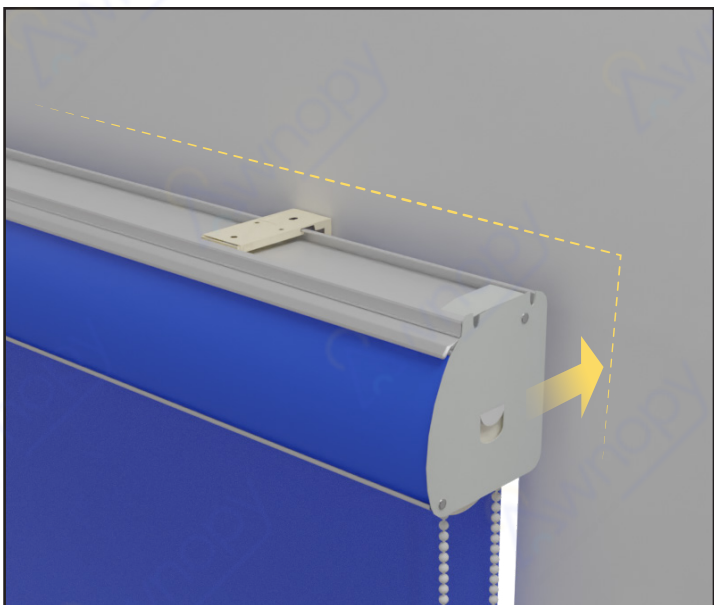
**Dual Purpose Design**



Side holes for wall mounting



Top holes for Ceiling mounting



## Outside Mount Installation:

### 1) Fixing Brackets on the wall:

Measure the window space and mark the position to drill holes. proceed with measuring and marking two points.

15 centimeters inside from both sides near the corners.



And 5 centimeters from the top of the window.



Place the level meter along the top edge of the blinds and adjust the blinds' position until the level indicates a perfectly level surface. Make a line which indicates correct level for the blinds.





Place the brackets over the marked points, and mark another point for the second hole of the bracket. Repeat the same process on side of the window. ensure the accuracy of your measurements



Before drilling, it's important to set the correct depth for the plastic wall plugs.

Take the drilling machine and mark **38mm** on the drilling bit to ensure the depth will be correct for the plastic wall plugs.

Proceed with drilling the marked points on both sides of the window. And then insert the plastic wall plugs into the drilled points on both sides of the window.

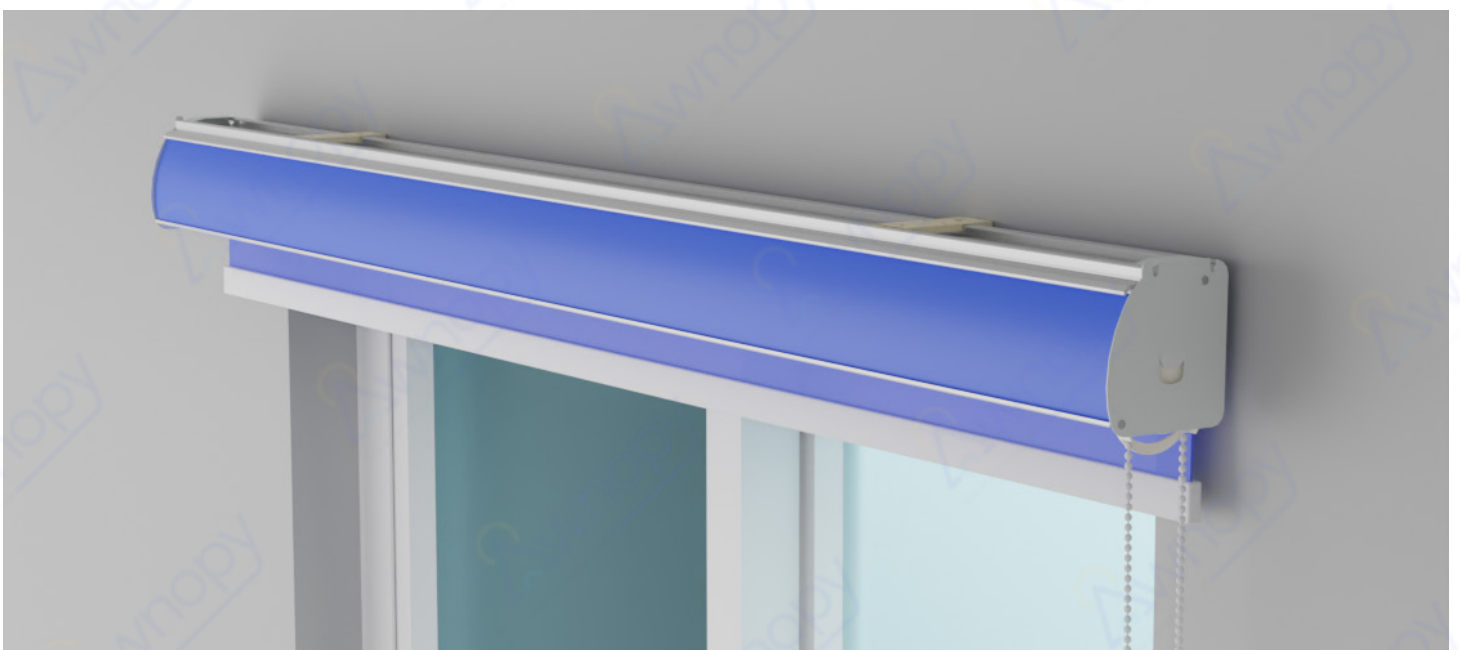
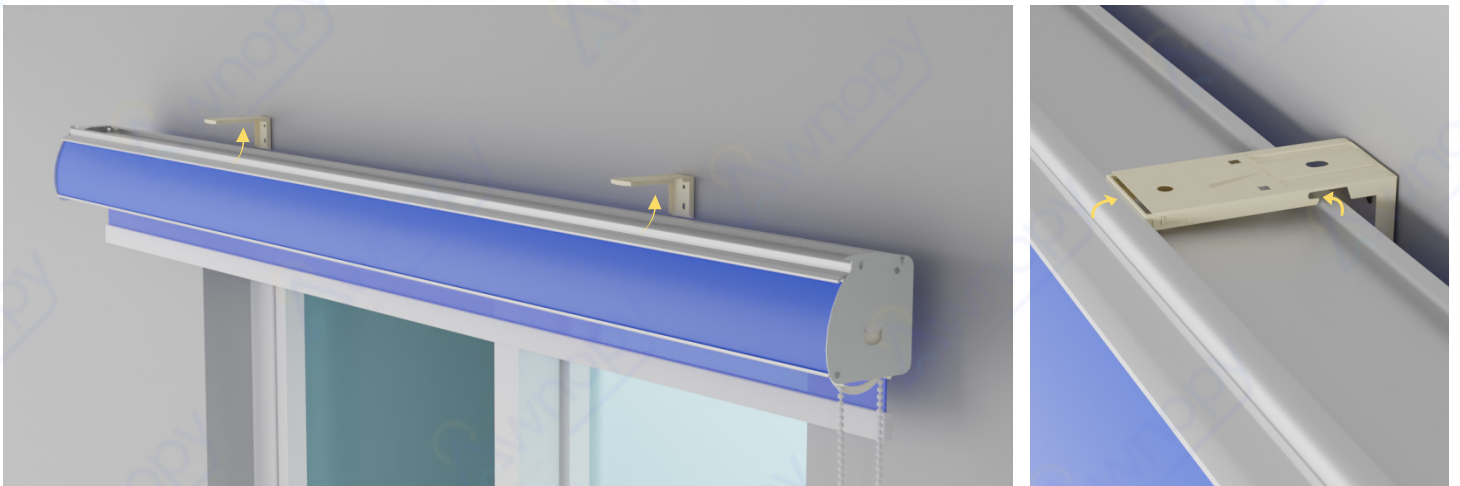


Align the brackets with the wall plugs. Using the screws provided, securely fasten the brackets onto the plastic wall plugs.



## 2) Fix the Blind on the Brackets:

Take the blinds and position them onto the brackets. Align the blinds with the brackets and apply gentle pressure until you hear a clicking sound. This indicates that the blinds are securely fixed.



Now, Your Awnopy roller blind is now successfully installed.

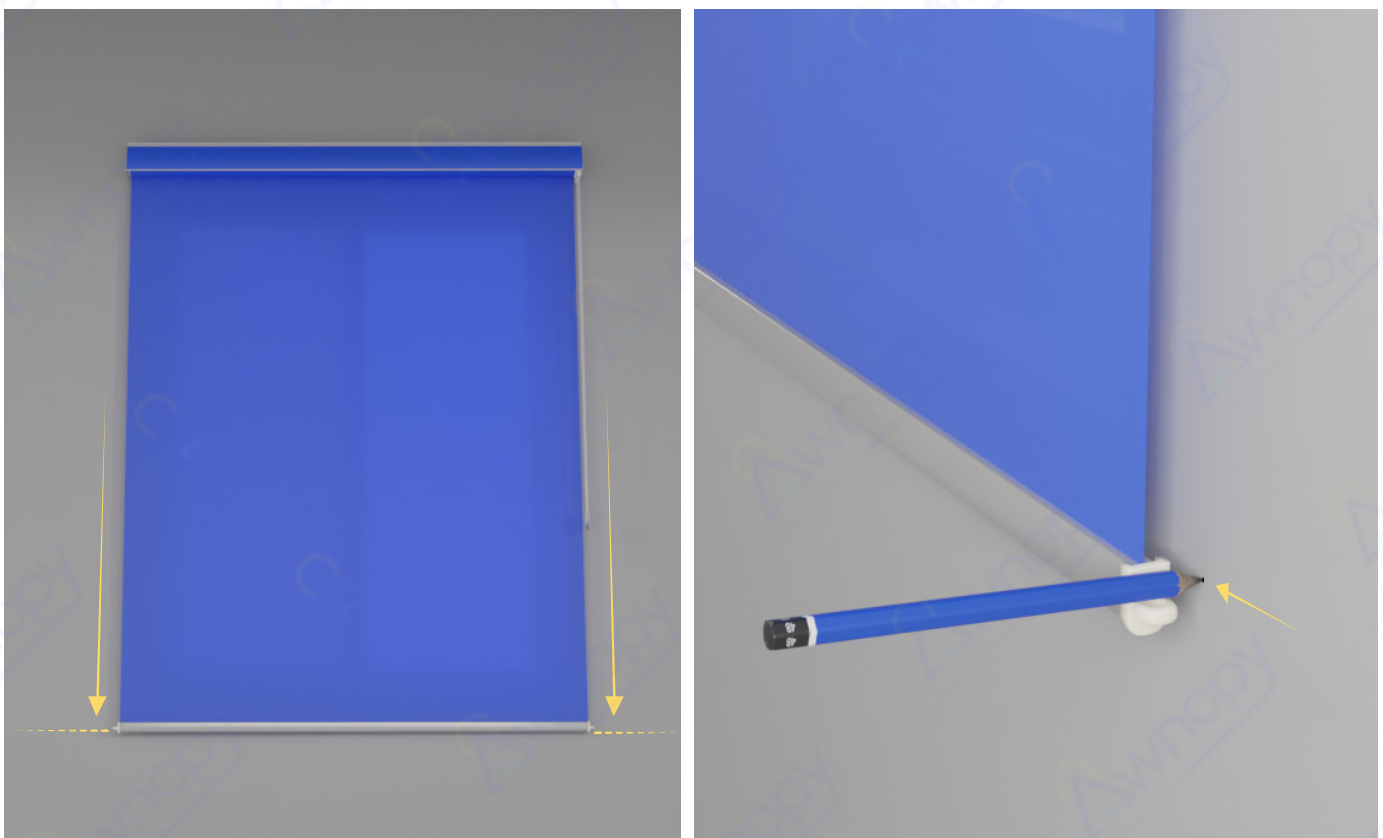


### 3) Fix the Cup hook fasteners:

Cup hook fasteners are designed to keep your roller blind in place, Securing the blind from catching the wind and fluttering.

To install the cup hook fasteners, begin by rolling down the roller blind completely

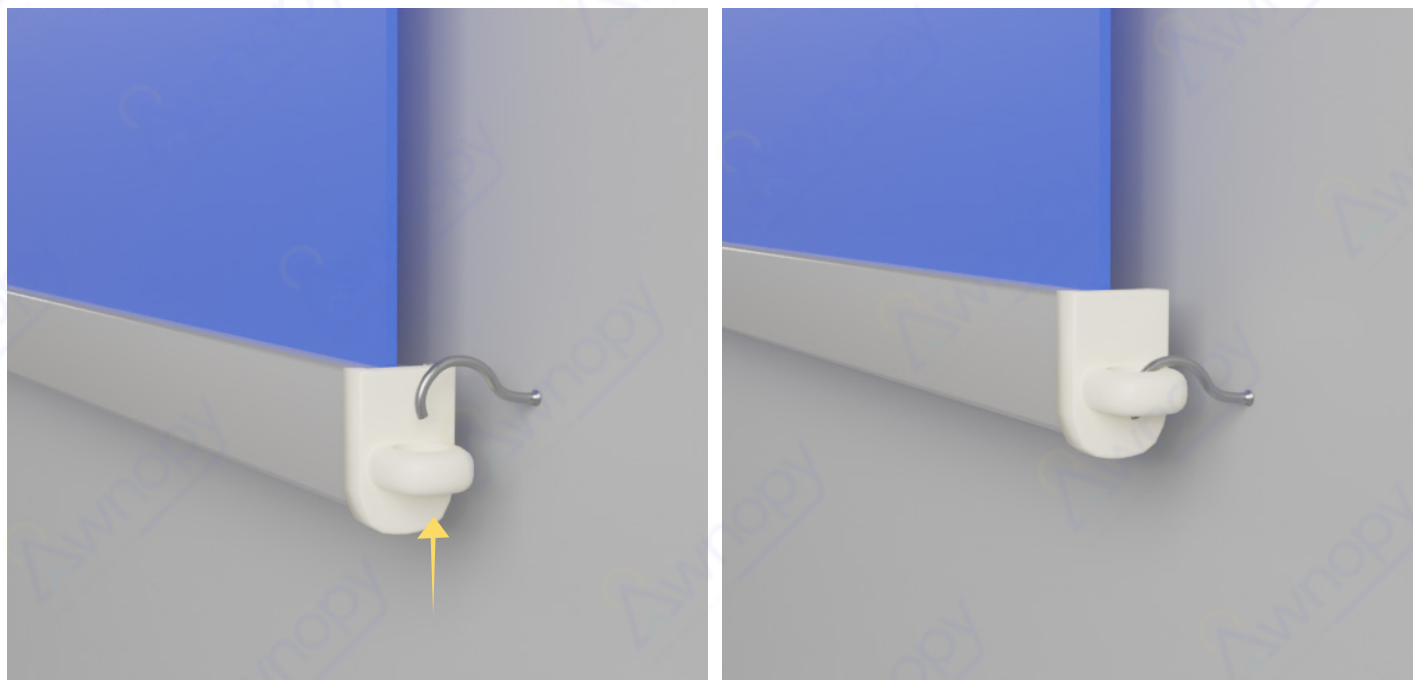
Mark the spots where you want to fasten the cup hook fasteners.



Grab your drilling machine with the [bit num 6](#) , carefully drill the marked spots on the wall. Insert the plastic wall plugs then fix the cup hook fasteners into the holes. Make sure they are tightly secured.



Your roller blind is now even more secure. The cup hook fasteners will provide a sturdy anchor for the roller blind, preventing it from swaying in the wind.





## Inside Mount Installation:

### 1) Fixing the Brackets :

Measure the window space and mark the position to drill holes. proceed with measuring and marking two points.

**15 centimeters** inside from both sides near the corners.



Place the brackets over the marked points, and mark another point for the second hole of the bracket. Repeat the same process on side of the window. ensure the accuracy of your measurements



Before drilling, it's important to set the correct depth for the plastic wall plugs.

Take the drilling machine and mark **38mm** on the drilling bit to ensure the depth will be correct for the plastic wall plugs.



Proceed with drilling the marked points on both sides of the window. And then insert the plastic wall plugs into the drilled points on both sides of the window.

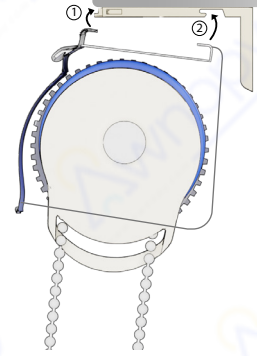


Align the brackets with the wall plugs. Using the screws provided, securely fasten the brackets onto the plastic wall plugs.



## 2) Fix the Blind on the Brackets:

Take the blinds and position them onto the brackets. Align the blinds with the brackets and apply gentle pressure until you hear a clicking sound. This indicates that the blinds are securely fixed.



Inside Mount Installation Completed.



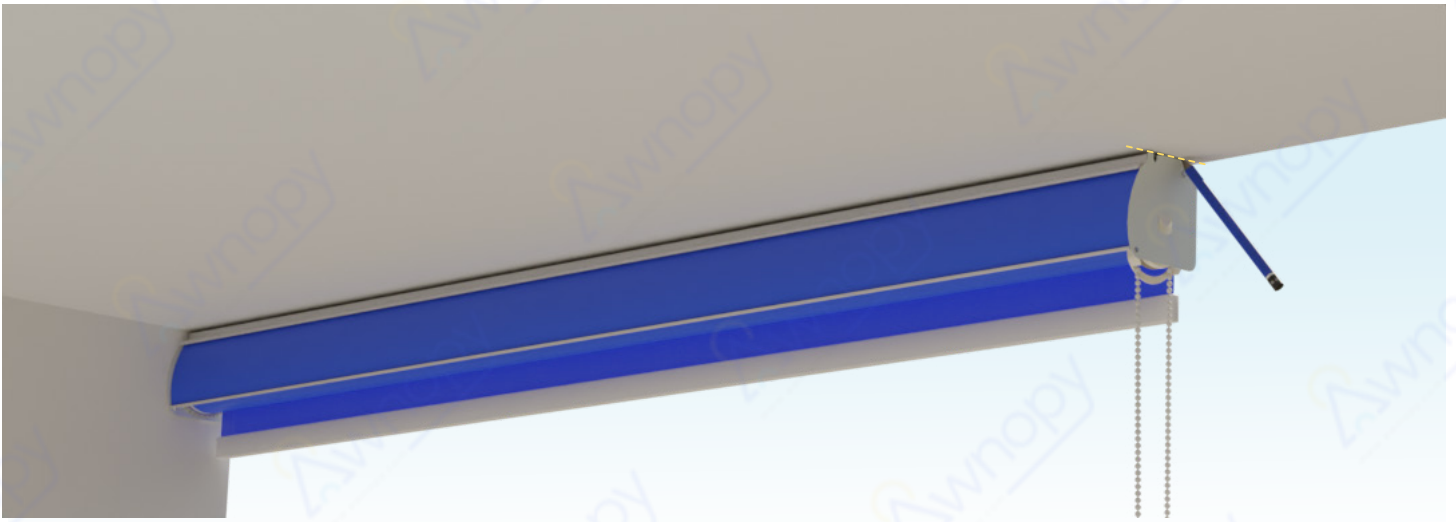
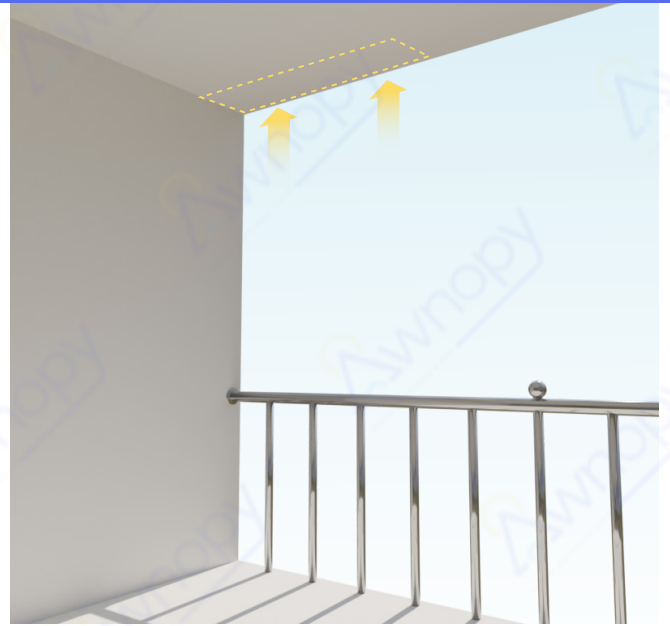
## Ceiling Mount Installation:

### 1) Fixing the Brackets :

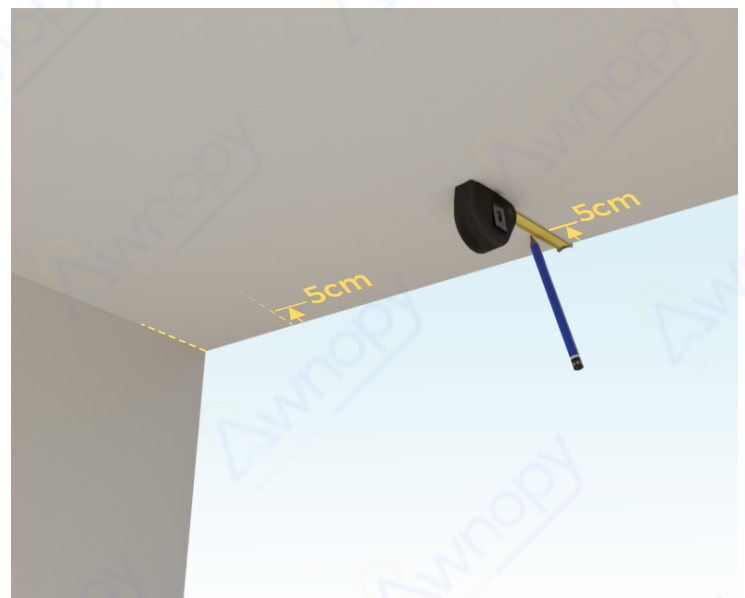
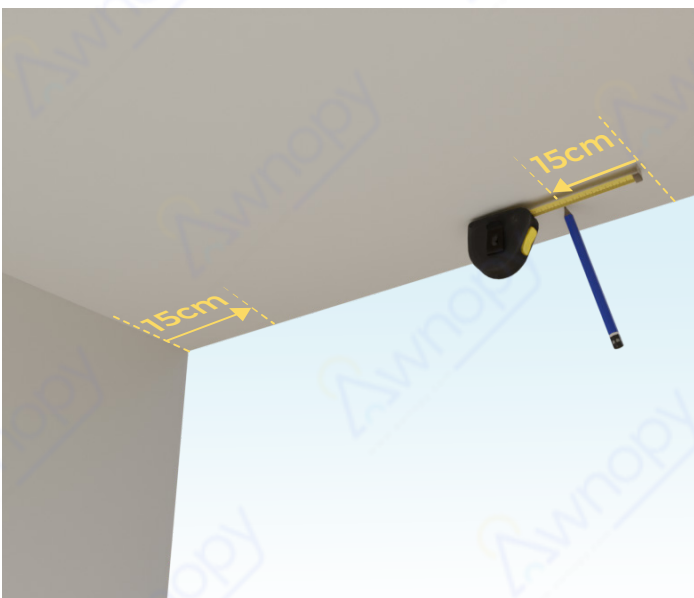
In this example of a ceiling mount roller blind, we will first measure the ideal placement for mounting brackets by marking the spots on the ceiling.

Begin by placing the roller blind, along with its pelmet, on the ceiling. Start from the edge of the wall closest to the balcony.

Mark a straight line on the ceiling corresponding to the edge of the pelmet. This line will serve as a guide for the subsequent steps.



Using a measuring tape, measure 15 cm inward from both edges of the roller blind and mark these spots with a pencil. And 5cm from edge of the ceiling



Position the brackets precisely on the marked spots. Designate an additional spot for the second hole in each bracket, then use a drill to create these holes.



Before drilling, it's important to set the correct depth for the plastic wall plugs.

Take the drilling machine and mark **38mm** on the drilling bit to ensure the depth will be correct for the plastic wall plugs.

Proceed with drilling the marked points on both sides.

And then insert the plastic wall plugs into the drilled points on both sides.



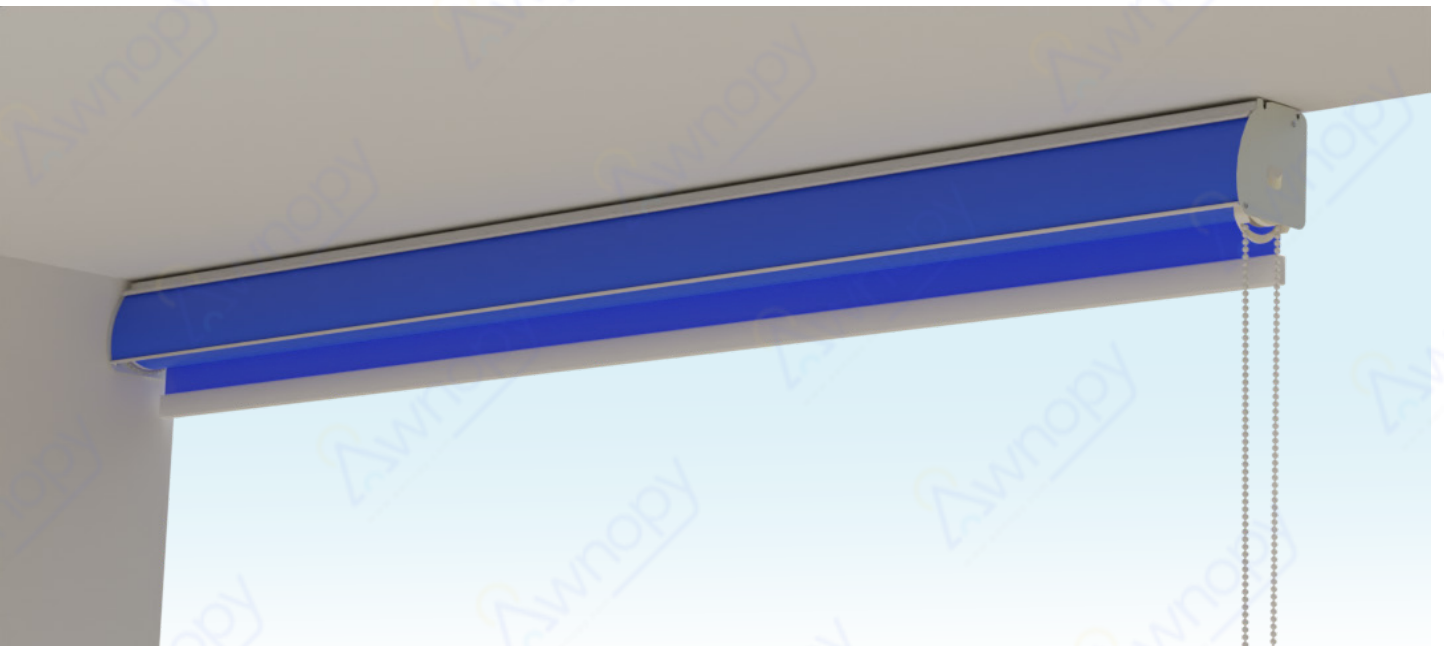
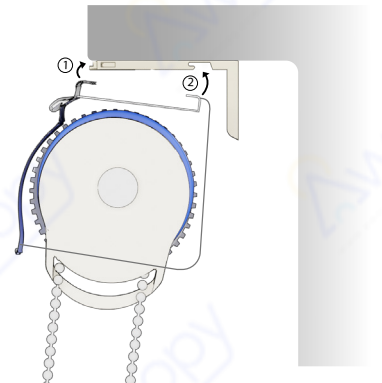


Align the brackets with the wall plugs. Using the screws provided, securely fasten the brackets onto the plastic wall plugs.



## 2) Fix the Blind on the Brackets:

Take the blinds and position them onto the brackets. Align the blinds with the brackets and apply gentle pressure until you hear a clicking sound. This indicates that the blinds are securely fixed.





Now, Your Awnopy roller blind is now successfully installed.